



Secure Grip Seal

The Secure Grip is a high strength, adjustable plastic strap seal which is suitable for a variety of applications. It is also available with optional “prongs” (bag applications) and Tear Line (Easy Removal) features

Applications

Tote boxes	Plastic and cloth bags
Roll Cages	Mail bags
Doors & hatches	Vehicle doors

Features

- Suitable for a wide range of applications.
- Ten seals per mat format.
- Specially designed integral metal clip provides a high level of security.
- Smooth strap allows easy Pull-up.
- Optional gripping prongs or tear away feature available.

Materials

Polypropylene and steel.

Strength Characteristics

- Average Looped pull apart force:
- Without Tearline is 51Kg (112lbs)
- With Tearline is 23Kg (50lbs)

Dimensions

- Actual measurements:
- Flag dimensions: 56mm x 20mm x 2mm
- Tail lengths: 190mm | 292mm | 393mm
- Overall length: 241mm | 342mm | 444mm

Marking/print

- Stock Numbered and marked “SEALED” as standard.
- Customised Print available: Text / Logo / Barcode.

Stock Colours

- 11" (342mm)
- With Tear-line and Prongs: Green, White, Yellow
- Without features: Yellow, Blue
- 15" (444mm)
- With Tear-line and Prongs: White
- Without features: Green, Red, Yellow

Packaging

- Delivered in mats of 10 seals boxed in 1000's.
- Box dimensions:
- 7" (241mm) version (LxWxH) 550x230x200mm 4.8Kg
- 11" (342mm) version (LxWxH) 550x230x200mm 5.0Kg
- 15" (444mm) version (LxWxH) 550x230x200mm 5.7Kg

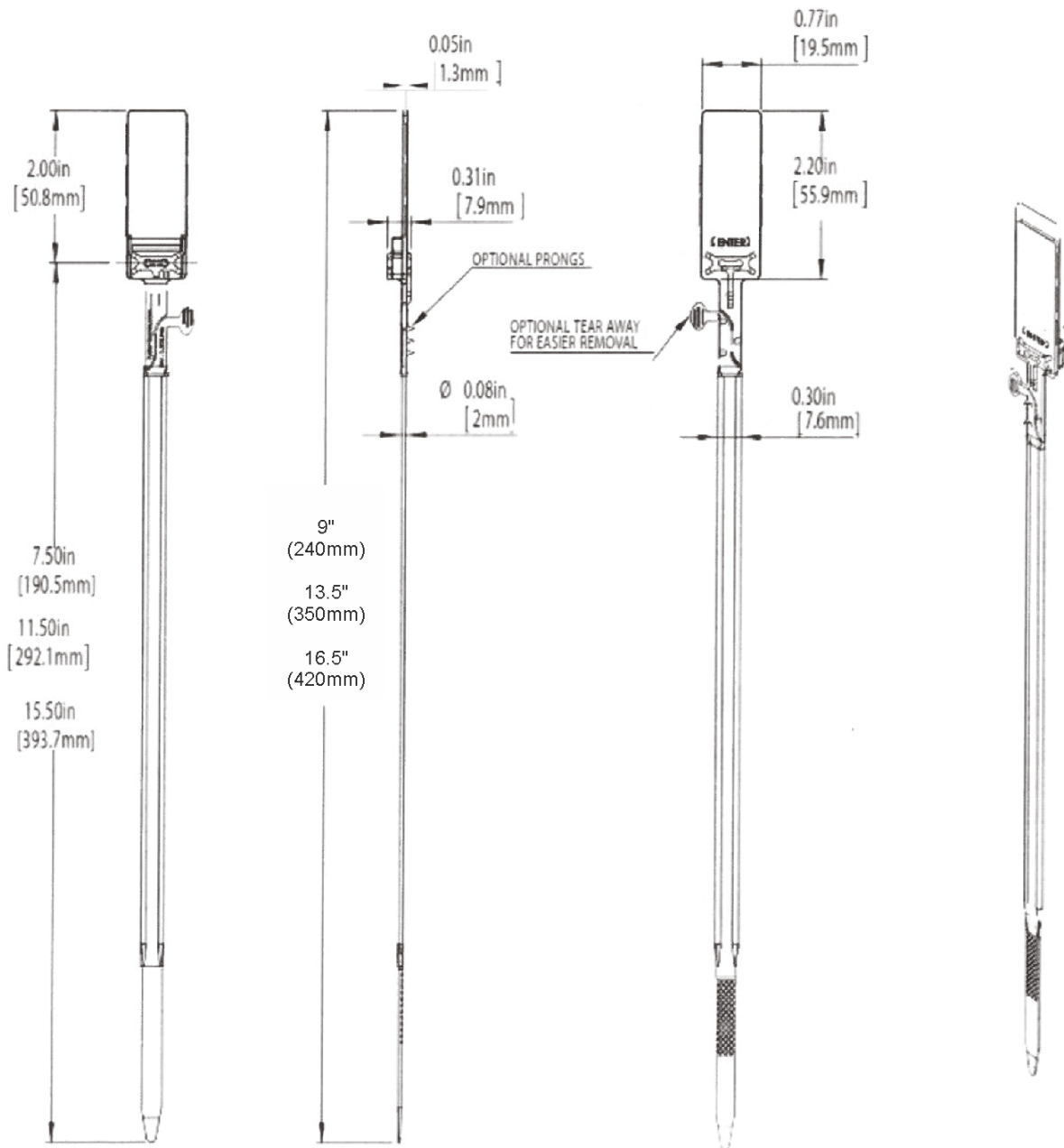


Secure Grip Seal



Secure Grip Seal

The Secure Grip is a high strength, adjustable plastic strap seal which is suitable for a variety of applications. It is also available with optional “prongs” (bag applications) and Tear Line (Easy Removal) features.



Secure Grip Seal