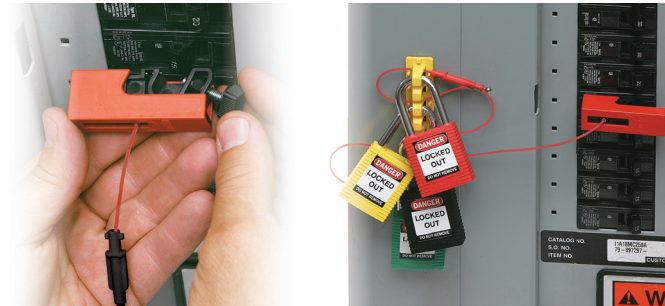


EZ Panel Clamp-On Lockout



Description

Design

- EZ Panel Loc system works on a wide range of breakers, including single and multi-pole configurations.
- The unique lock rail system allows the panel door to be closed with lockouts in place, and keeps the weight of padlocks off of the breakers.
- Clamp-On style is used on breakers that do not have a hole in the switch tongue, including multi-pole breakers with tie-bars.
- Turn the thumbscrew to clamp lockout securely onto switch, then snap the cover closed to prevent thumb wheel from being loosened.

Material

- **Housing:** Glass filled polyurethane
- **Color:** Red, PMS 1807
- **Body, thumbwheel, key:** Glass-filled Nylon
- **Color:** Black
- **Spring form, screw, barb:** stainless steel
- **Stopper:** Copper
- **Sleeve:** Aluminum

Temperature Range

- Glass-filled Nylon: -20° to 120°C (0° to 250°F).
- Glass filled polyurethane: -40° to 120°C (-40° to 250°F).

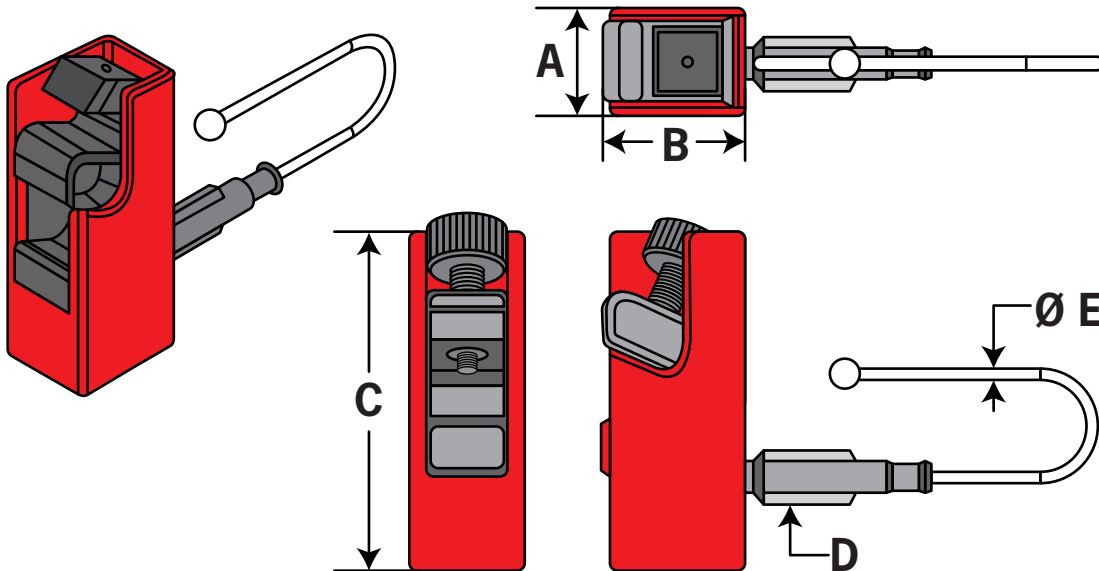
Chemical Resistance

- All approved chemicals listed are based on the manufactures specified chemical resistance chart for plastic material only.

Chemical	°C
Acetone	25
Acetone	60
Chlorine, chlorine water	25
Fuel, engine: Gasoline (normal & premium grade)	85
Lubrication oil: gear oil	< 120
Fuel, engine: M15 mixture (15% methanol)	70
Methanol	25

Chemical	°C
Petroleum	25
Turpentine oil	25
Turpentine substitute (white spirit)	25
Trichloroethane 1,1,1	45
Lubricating oil: HD engine oils, hydraulic oils, transformer oils	< 120
Water (including seawater)	25
Water (including seawater), chlorinated (<0,5 mg/l)	80

Dimensions



A	0.75" [18.8mm]
B	1.0" [24.5mm]
C	2.38" [60.5mm]
D	0.36" [9.14mm]
E	0.06" [1.47mm]

► Manufacturer's Catalog

Manufacture	Type	# Poles
American Switch	C	1
Bryant	BR	1
Bryant	BR	2 - 3
Challenger	C	1
Challenger	C	2 - 3
Challenger	LM	1
Challenger	NEJ	1 - 2
Crouse Hinds	MP	2
Cutler Hammer	BA	1
Cutler Hammer	BAB	1
Cutler Hammer	BD	1
Cutler Hammer	BR	1
Cutler Hammer	BR	2 - 3
Cutler Hammer	BRH	1
Cutler Hammer	BRH	2 - 3
Cutler Hammer	BRHH	2
Cutler Hammer	CH	1
Cutler Hammer	CH	2 - 3
Cutler Hammer	CH2	4
Cutler Hammer	CHB	1
Cutler Hammer	CHB	2 - 3
Cutler Hammer	CHP	1
Cutler Hammer	CHP	2 - 3
Cutler Hammer	CHQ	1
Cutler Hammer	CHQ	2
Cutler Hammer	CHSW	2 - 3
Cutler Hammer	CL	1
Cutler Hammer	CL	2
Cutler Hammer	CSR	1
Cutler Hammer	E125B	1 - 4
Cutler Hammer	E125E	1 - 4
Cutler Hammer	E125H	1 - 4
Cutler Hammer	E125S	1 - 4
Cutler Hammer	ED	2 - 4
Cutler Hammer	EDC	2 - 4
Cutler Hammer	EDH	2 - 4
Cutler Hammer	EFH	1 - 4
Cutler Hammer	EGB	1 - 4
Cutler Hammer	EGE	1 - 4
Cutler Hammer	EGS	1 - 4
Cutler Hammer	EHC	1 - 4
Cutler Hammer	EHD	1 - 4
Cutler Hammer	FB	2 - 3
Cutler Hammer	FC	1 - 4
Cutler Hammer	FD	1 - 4
Cutler Hammer	FDB	2 - 4
Cutler Hammer	FDC	2 - 4
Cutler Hammer	FS	2 - 3
Cutler Hammer	GB	1 - 3

Manufacture	Type	# Poles
Cutler Hammer	GC	1 - 3
Cutler Hammer	GD	1 - 3
Cutler Hammer	GDB	1 - 3
Cutler Hammer	GHB	1 - 3
Cutler Hammer	GHB G FEP	1
Cutler Hammer	GHC	1 - 3
Cutler Hammer	GHC G FEP	1
Cutler Hammer	HBAW	1
Cutler Hammer	HBAX	1
Cutler Hammer	HFD	1 - 4
Cutler Hammer	HGHB	1
Cutler Hammer	HGHC	1
Cutler Hammer	HQP	1
Cutler Hammer	LJ	3
Cutler Hammer	QBGF	2
Cutler Hammer	QBGFEP	2
Cutler Hammer	QBHW	1
Cutler Hammer	QC	1
Cutler Hammer	QC	2 - 3
Cutler Hammer	QCD	1
Cutler Hammer	QCD	2 - 3
Cutler Hammer	QCHW	1
Cutler Hammer	QCHW	2 - 3
Cutler Hammer	QCHW	1
Cutler Hammer	QCHW	2 - 3
Cutler Hammer	QHCX	1
Cutler Hammer	QHCX	2 - 3
Cutler Hammer	QHPW	1
Cutler Hammer	QHPX	1
Cutler Hammer	QPGF	2
Cutler Hammer	QPGFEP	2
Cutler Hammer	QPHW	1
Fed. Pacific E	BAB	1
Fed. Pacific E	NA-single	3
Fed. Pacific E	NA-tie bar	2
Fed. Pacific E	NB	1
Fed. Pacific E	NBH GFI	1
Fed. Pacific E	NP-single	1
Frank Adams	P	1
General Bect	HQC	3
General Bect	SED	3
General Bect	SEH	2 - 3
General Bect	SEL	2 - 3
General Bect	SEP	2 - 3
General Bect	SFH	2 - 3
General Bect	SFL	2 - 3
General Bect	SFP	2 - 3
General Bect	TB	2
General Bect	TBC	2
General Bect	TE	1 - 3

Manufacture	Type	# Poles
General Bect	TEB	1 - 3
General Bect	TED	1 - 3
General Bect	TEF	1 - 3
General Bect	TEL	3
General Bect	TEML	3
General Bect	TEY	1 - 3
General Bect	TF	1 - 3
General Bect	TFC	3
General Bect	THED	1 - 3
General Bect	THEF	1 - 3
General Bect	THHQB	2 - 3
General Bect	THHQB-A	1
General Bect	THHQB-S	1
General Bect	THHQC	1 - 3
General Bect	THHQC-A	1
General Bect	THHQC-S	1
General Bect	THHQL	2 - 3
General Bect	THHQL-A	1
General Bect	THHQL-S	1
General Bect	THQB	2 - 3
General Bect	THQB-A	1
General Bect	THQB-S	1
General Bect	THQC	2 - 3
General Bect	THQC-A	1
General Bect	THQC-AL	2 - 3
General Bect	THQC-S	1
General Bect	THQD	2 - 3
General Bect	THQDBL	3
General Bect	THQL	2 - 3
General Bect	THQL-A	1
General Bect	THQL-S	1
General Bect	TJC	2 - 3
General Bect	TKC	3
General Bect	TQB	2 - 3
General Bect	TQB-A	1
General Bect	TQB-S	1
General Bect	TQC	2 - 3
General Bect	TQC-A	1
General Bect	TQC-S	1
General Bect	TQL-A	1
General Bect	TQL-S	1
Siemens IT E	BL	1
Siemens IT E	BL	2 - 3
Siemens IT E	BLF-GFI	2
Siemens IT E	BLH	1
Siemens IT E	BLH	2 - 3
Siemens IT E	BQ	1
Siemens IT E	BQ	2 - 3
Siemens IT E	BQCH	1 - 3
Siemens IT E	BQD	1 - 3

► Manufacturer's Catalog

Manufacture	Type	# Poles
Siemens IT E	BQH	1
Siemens IT E	BQH	2 - 3
Siemens IT E	CED6	2 - 3
Siemens IT E	CQD	1 - 3
Siemens IT E	E2	1 - 3
Siemens IT E	E4	1 - 3
Siemens IT E	ED	1 - 3
Siemens IT E	ED4	1 - 3
Siemens IT E	ED6	1 - 3
Siemens IT E	ED6-ETI	3
Siemens IT E	EE3	3
Siemens IT E	EH3	3
Siemens IT E	EQP	4
Siemens IT E	ET	3
Siemens IT E	GF	1
Siemens IT E	HBL	1
Siemens IT E	HBL	2 - 3
Siemens IT E	HBQ	1
Siemens IT E	HBQ	2 - 3
Siemens IT E	HE4	1 - 3
Siemens IT E	HED4	1 - 3
Siemens IT E	HED6	2 - 3
Siemens IT E	HHED6	2 - 3
Siemens IT E	HQJ2-H	3
Siemens IT E	HQP	1
Siemens IT E	HQP	2 - 3
Siemens IT E	HQPP	1
Siemens IT E	HQPP	2 - 3
Siemens IT E	HQPPH	2
Siemens IT E	QJ2	2 - 3
Siemens IT E	QJ2-H	2 - 3
Siemens IT E	QJH2	2 - 3
Siemens IT E	QP	1
Siemens IT E	QP	2 - 63
Siemens IT E	QP1	1
Siemens IT E	QPH	1
Siemens IT E	QPH	2 - 4
Siemens IT E	QPP	1
Siemens IT E	QPP	2 - 3
Siemens IT E	QPPH	1
Siemens IT E	QPPH	2 - 3
Square D	EDB	1 - 3
Square D	EGB	1 - 3
Square D	EH4	1 - 3
Square D	EHB	1 - 3
Square D	EHB	2 - 3
Square D	EJB	1 - 3
Square D	FDA	
Square D	FGA	3
Square D	Q1B	2 - 3

Manufacture	Type	# Poles
Square D	Q1L	2 - 3
Square D	QO	2 - 3
Square D	QOB	2 - 3
Square D	QOM1-VH	2
Square D	QOM2-VH	2
Square D	QO-SWN	2 - 3
Square D	QOU	2 - 3
Square D	QOU (tie bar)	2 - 3
Square D	QO-VH	2 - 3
Sylvania GTE	QC	2
Sylvania GTE	Type C	2
Thomas & Be	F Frame	1 - 3
Westinghouse	BA	1 - 3
Westinghouse	BAB	1 - 3
Westinghouse	BR	1 - 3
Westinghouse	BR w tie bar	2 - 3
Westinghouse	EB	1 - 3
Westinghouse	ED	
Westinghouse	EH	1 - 3
Westinghouse	EHD	1 - 3
Westinghouse	FA	3
Westinghouse	FB	2 - 3
Westinghouse	FD	1 - 4
Westinghouse	FDB	2 - 4
Westinghouse	FDC	2 - 4
Westinghouse	GB	1 - 3
Westinghouse	GBH	1 - 3
Westinghouse	GHB	1 - 3
Westinghouse	HBAW	1
Westinghouse	HBAX	1
Westinghouse	HCA	3
Westinghouse	HF B	1 - 3
Westinghouse	HF D	1 - 4
Westinghouse	HMCP	
Westinghouse	HQNP	3
Westinghouse	HQP	1
Westinghouse	MCPO	3
Westinghouse	P	3
Westinghouse	QBHW	1
Westinghouse	QC	1
Westinghouse	QCHQ	1
Westinghouse	QHCW	1
Westinghouse	QHCX	1
Westinghouse	QHPW	1
Westinghouse	QPHW	1
Westinghouse	Quicklag P	
Westinghouse	RE	
Westinghouse	WPHX	1
Zinsco	HQB	6
Zinsco	QB	1

▶ MSDS Information

Hazards identification

- This product is NOT DANGEROUS and contains no hazardous ingredients.

First AID Measures / Health Information / Protection

- **Eye Contact:** Not applicable, product is inert.
- **Ingestion:** Not applicable, first aid is not normally required.
- **Inhalation:** Not applicable.
- **Skin Contact:** Not applicable, product is inert, except if product is melted use gloves. For hot melted product, immerse in or flush affected area with water to dissipate heat, then obtain medical attention.
- **Exposure Limits:** None.
- **Threshold Limits:** None.
- **Personal Protection:** None (ambient conditions).
- **NPCA-HMIS Rating:** Health: 0; Flammability: 1; Reactivity: 0
- **NFPA-704 Rating:** Health: 0; Flammability: 1; Reactivity: 0

Fire-fighting measures

- Be cautious of hot melted Nylon.
- Use water spray to cool fire, exposed surfaces, and to protect personnel.
- Isolate product from fire.
- Respiratory and eye protection is required for fire fighting personnel.
- Extinguish fire with water spray
- Decomposition products under fire conditions: Oxygen-lean conditions may cause monoxide and irritating smoke.

Accidental release measures

- **Land:** Recover material and place in suitable container for reuse or for disposal in conformance with local regulations.
- **Water:** Recover material and place in suitable container for reuse or for disposal in conformance with local regulations.

Handling and storage

- **Handling:** No precautions noted-see local regulation if needed.
- **Storage pressure:** Atmospheric.
- **Storage temperature:** Ambient, no direct sunlight.

Exposure controls / personal protection

- **Exposure limit values:** None
- **Exposure Controls:** - Occupational Exposure Controls: Respiratory Protection: Not applicable
Hand Protection: Not applicable
Eye Protection: Not applicable
Skin Protection: Not applicable
- Environmental Exposure Controls: No data available

Stability and reactivity

- **Conditions to Avoid:** Higher Temperatures and direct sunlight (chemical resistance is excellent), Highly stable, but temperatures over 480 F may cause degradation.
- **Materials to Avoid:** No data available.
- **Hazardous Decomposition Products:** Under fire and oxygen-lean conditions may cause monoxide and irritating smoke.

Ecological information

- **Ecotoxicity, Mobility, Persistence and Degradability:** No data available.
- **Bioaccumulative potential and other adverse effects:** No data available.

Disposal considerations

- None of the materials in this product are Recyclable, dispose of all materials in accordance with an applicable federal, state, and local law.

Regulatory information

This product has been tested and validated to the Regulatory Requirements listed below: OSHA 29 CFR 1910.147 ©(4)(ii)(A)(1)1(cX5Xii)(C)(1) ANSI Standard Z244

▶ Trademarks

Note: All values shown are averages and should not be used for specification purposes.

Test data and test results contained in this document are for general information only and shall not be relied upon by Brady customers for designs and specifications, or be relied on as meeting specified performance criteria. Customers desiring to develop specifications or performance criteria for specific product applications should contact Brady for further information.

Product compliance information is based upon information provided by suppliers of the raw materials used by Brady to manufacture this product or based on results of testing using recognized analytical methods performed by a third party, independent laboratory. As such, Brady makes no independent representations or warranties, express or implied, and assumes no liability in connection with the use of this information.

▶ Warranty

Brady products are sold with the understanding that the buyers will test them in actual use and determine for themselves their adaptability to their intended uses. Brady warrants to the buyers that its products are free from defects in material and workmanship, but limits its obligation under this warranty to replacement of the product shown to Brady's satisfaction to have been defective at the time Brady sold it. This warranty does not extend to any persons obtaining the product from the buyers. This warranty is in lieu of any other warranty, express or implied, including, but not limited to, any implied warranty of merchantability or fitness for a particular purpose, and of any other obligations or liability on Brady's part. Under no circumstances will Brady be liable for any loss, damage, expense, or consequential damages of any kind arising in connection with the use, or inability to use, Brady's products.